



PROJECT		REF		REV	ITEM CODE	
LOCATION		DATE			PAGE	

SANITARY WARE SPECIFICATION SHEET

<p>Item Descriptions</p> <p>Mediclinics (Spain) automatic countertop-mounted soap dispenser, chromed brass, bright finish</p> <p>Dimensions</p> <p>Refer to drawing</p> <p>Model</p> <p>DJ0252AC</p> <p>Material/ Finish</p> <p>Chrome Brass / Bright Finish</p> <p>Manufacturer</p> <p>Mediclinics, S.A. (Spain)</p> <p>Supplier</p> <p>Acme Sanitary Ware Co. Ltd Mr. Eric Wong/ Mr. Wilson Hung</p> <p>Contact Tel/Fax</p> <p>(852) 2388-7171 / (852) 2710-8012</p> <p>E-mail</p> <p>acme@acmesanitary.com.hk</p> <p>Website</p> <p>www.acmesanitary.com.hk</p>	<p style="text-align: center;">Illustration/ Drawing</p> <p style="text-align: center;">Technical Specifications</p> <table border="1" style="width: 100%; border-collapse: collapse;"> <tr> <td>Dimensions (cabecal)</td> <td>131x74x85 mm</td> </tr> <tr> <td>Capacity</td> <td>1.600 ml</td> </tr> <tr> <td>Net weight</td> <td>950 g</td> </tr> <tr> <td>Quantity dispensed per pump</td> <td>0,8- 2,2 ml</td> </tr> <tr> <td>Power</td> <td>DC 6V</td> </tr> <tr> <td>Battery Type</td> <td>4 x D 1.5V Alkaline</td> </tr> <tr> <td>Battery lifetime</td> <td>50.000 cycles</td> </tr> <tr> <td>Operating temperatures</td> <td>4-50 °C</td> </tr> <tr> <td>Operating humidity</td> <td>20-90%</td> </tr> <tr> <td>IP degree</td> <td>IP43</td> </tr> </table>	Dimensions (cabecal)	131x74x85 mm	Capacity	1.600 ml	Net weight	950 g	Quantity dispensed per pump	0,8- 2,2 ml	Power	DC 6V	Battery Type	4 x D 1.5V Alkaline	Battery lifetime	50.000 cycles	Operating temperatures	4-50 °C	Operating humidity	20-90%	IP degree	IP43	<p>General Description</p> <ul style="list-style-type: none"> Automatic countertop-mounted soap dispenser, 1,6 L capacity, manufactured in chromed brass, bright finish. Available in bright finish, this automatic countertop-mounted soap dispenser has a functional, robust and trendy design that matches the new range of Mediclinics bathroom accessories. This allows this soap dispenser to blend into any space perfectly. Suitable for high traffic facilities and for public use. Dispenses liquid soaps with neutral pH, chlorine free and density between 2,000 and 3,500 cP. Surgical soaps and soaps with solid abrasive particles are not supported. <p>Components & materials</p> <ul style="list-style-type: none"> DJ0252AC: chromed brass, bright finish. SPOUT ASSEMBLY: chromed brass, bright finish, 131x74x85mm. SOAP TANK: refillable tank, 1,600 ml capacity and made in Polyethylene (PE). POWE INPUT: dc 6v, dX4Alkaline battery. Stand-by current less than 100 µA and active current less than 1A. LED INDICATOR: red LED ON when sensing an object. Red LED constantly ON means low battery light. Blue LED flashes when soap level is low. INFRARED SENSOR: self-adjustable sensing distance from 90 to 130 mm. It requires between 0.5 to 1 second to carry out the dispensing operation. SUITABLE SOAPS: chlorine free liquid soaps with a viscosity between 2,000 and 3,500 mPa.s and a pH as close to 7.0 (pH neutral). Surgical soaps and soaps with solid abrasive particles are not supported.
Dimensions (cabecal)	131x74x85 mm																					
Capacity	1.600 ml																					
Net weight	950 g																					
Quantity dispensed per pump	0,8- 2,2 ml																					
Power	DC 6V																					
Battery Type	4 x D 1.5V Alkaline																					
Battery lifetime	50.000 cycles																					
Operating temperatures	4-50 °C																					
Operating humidity	20-90%																					
IP degree	IP43																					

Note:

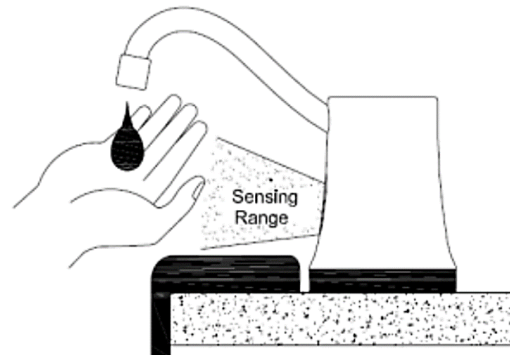


PROJECT		REF		REV	ITEM CODE	
LOCATION		DATE			PAGE	

SANITARY WARE SPECIFICATION SHEET

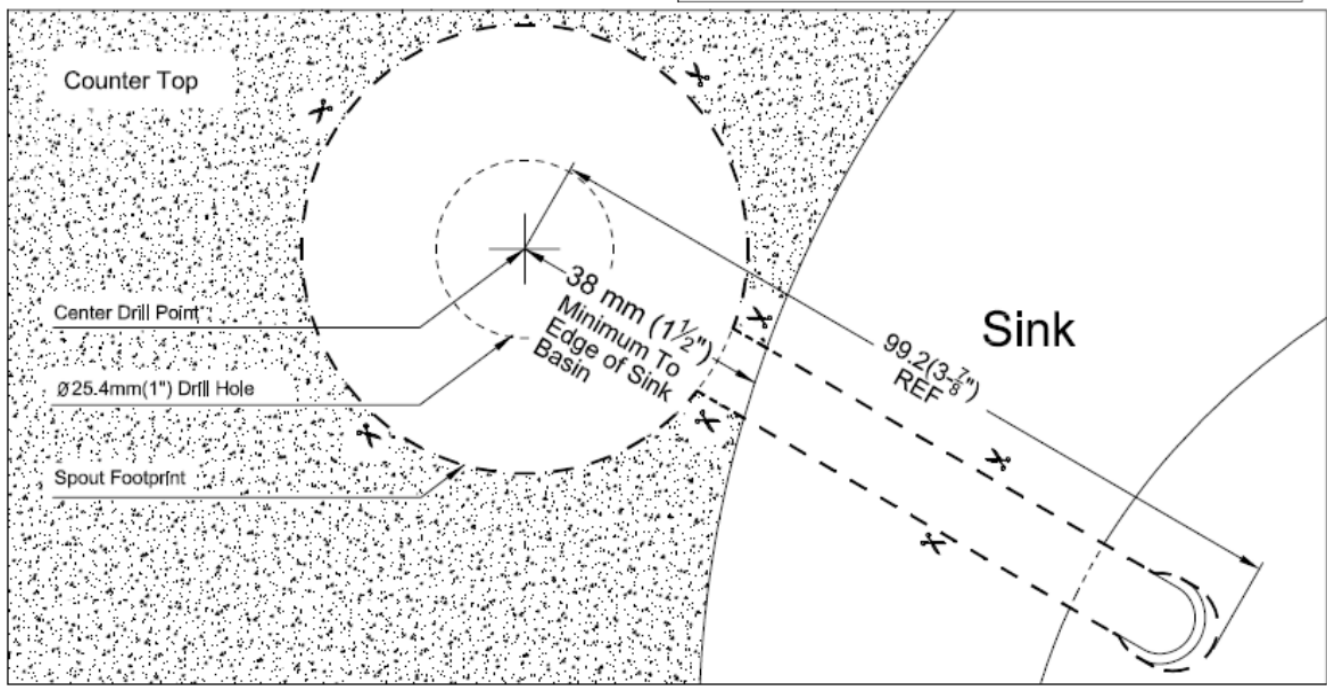
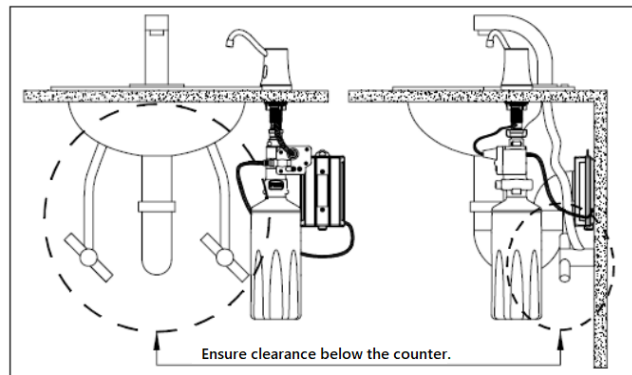
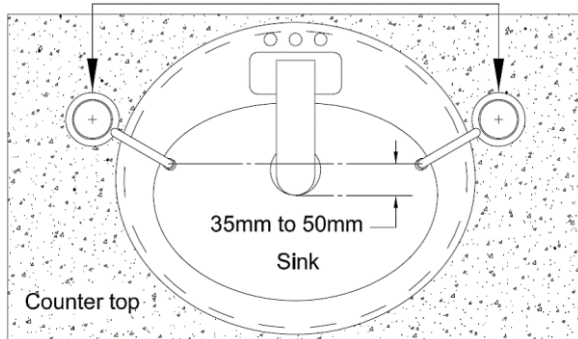
Operation

Place your hand under the spout. Soap will be dispensed automatically within 1 second. Keep the hand in this position until the end of the soap dosage.



Mounting Template

Dispenser can be located on the left or right of the sink



Note:



* All information of the above is the reference only. No prior notice is made if any changes.